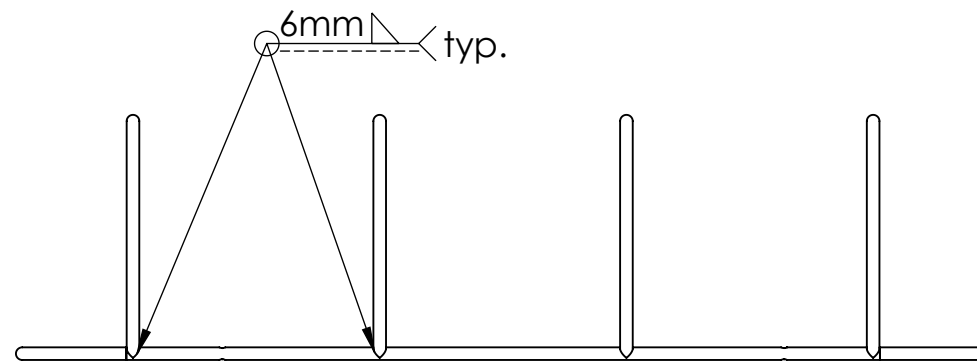
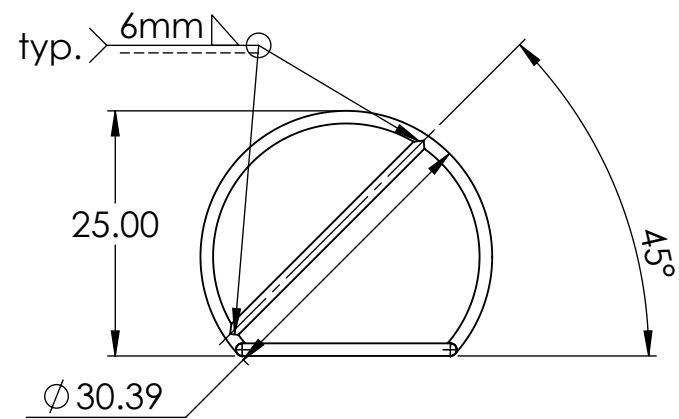
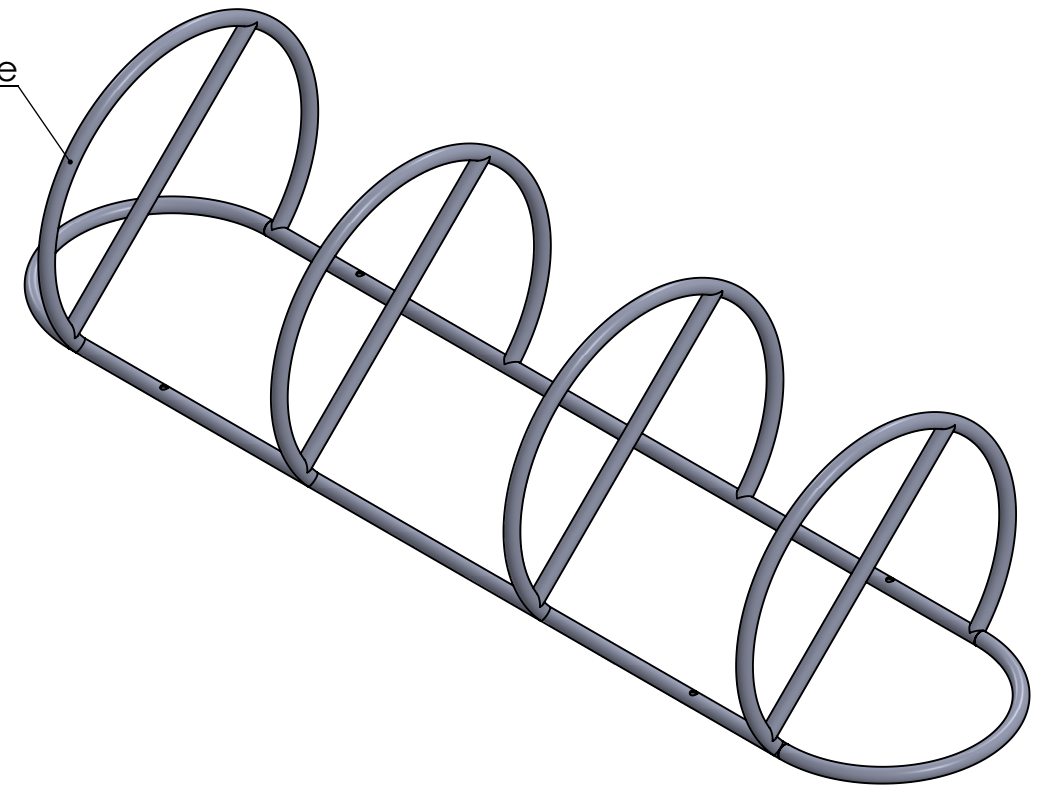


Ø 1" sch40 Galvanized Steel pipe



NOTES:

All welds ground and polished smooth.

REV	DESCRIPTION	DATE
REVISION HISTORY		



15011-131 Avenue
Edmonton, AB
T5V 1S9
Ph. (780) 453-7074
Fax. (780) 454-0171

	NAME	DATE (D/M/Y)
DRAWN	JEH	15/08/2012
CHECKED		
ENG APPR.		
MFG APPR.		
Q.A.		

DO NOT SCALE DRAWING
UNLESS OTHERWISE SPECIFIED:
DIMENSIONS ARE IN INCHES
TOLERANCES:
WATERJET: ±0.125 MM
ANGULAR: BEND ±0.5 MM

PROPRIETARY AND CONFIDENTIAL THE INFORMATION CONTAINED IN THIS DRAWING IS THE SOLE PROPERTY OF SPECIAL METALS FABRICATING LTD. ANY REPRODUCTION IN PART OR AS A WHOLE WITHOUT THE WRITTEN PERMISSION OF SPECIAL METALS FABRICATING LTD. IS PROHIBITED.			
TITLE:		City of Edmonton - multi bike rack overview galv.	
SIZE	DWG. NO.	SHOP	REV
A			n/a
SCALE: 1:20	WEIGHT:		REV. DATE n/a
			SHEET 2 OF 2